



Order Request Form Date: _____

TEXAS STAIR TREADS

12604 Hempstead Rd. • Houston, Texas 77094 • 713.329.9663

Store Name: _____

Requested By: _____

Client Address: _____

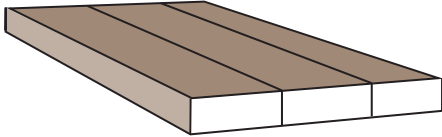
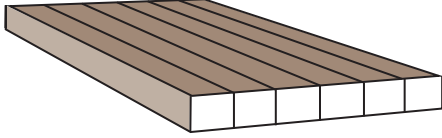
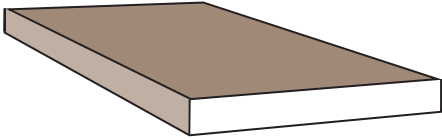
DIMENSIONS:

Thick
Width
Depth








SPECIES

- Mixed Species
- Red Oak
- White Oak
- Walnut
- Knotty Alder
- Maple
- Birch
- Hickory
- Brazilian Cherry
- Mahogany
- Brazilian Walnut
- Tiger Wood
- Mesquite
- Acume
- Other

CONSTRUCTION:

Face Grain <input type="checkbox"/>	
Edge Grain <input type="checkbox"/>	
Slab <input type="checkbox"/>	

EDGING:

 Softened Edge <input type="checkbox"/>	 Large Round <input type="checkbox"/>	 Small Round <input type="checkbox"/>	 Large Round w/ Edge <input type="checkbox"/>
 Ogee w/ Edge <input type="checkbox"/>	 Wave w/ Edge <input type="checkbox"/>	 Traditional <input type="checkbox"/>	Other <input type="checkbox"/>

FINISH:

Miner <input type="checkbox"/>	Monocoat <input type="checkbox"/>	Other <input type="checkbox"/>
Marine Varnish <input type="checkbox"/>	Top Mount <input type="checkbox"/>	Under Mount <input type="checkbox"/>